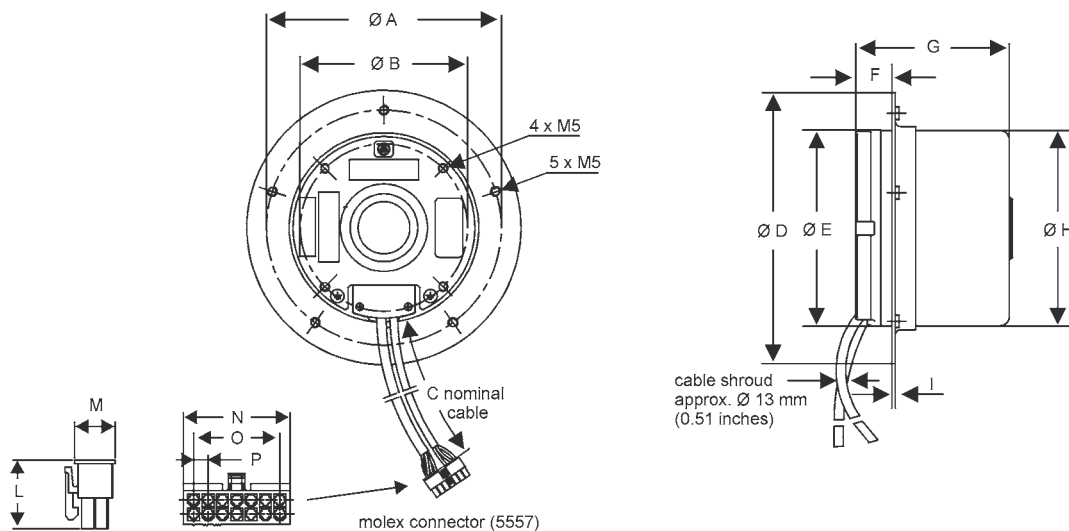


250 W External Rotor Motor DF 102 AA



Motor Type	Input Power W	Speed RPM	Efficiency %	Operating Temperature	Protection IP	Electronic Control
DF 102 AA	Up to 325	0-1500	80	-20/+40°C -4/+104°F	20	See below

Product Dimensions:



Dimensions	A	B	C*	D	E	F	G	H	I	K	L	M	N	O	P
mm	120	90	600	140	101	22.5	86	101.5	1.5	13	20	11.6	31	25.2	4.2
inches	4.72	3.54	23.62	5.51	3.98	0.89	3.39	4.00	0.06	0.51	0.79	0.46	1.22	0.99	0.17

Cable Tolerance: C* ±10 mm (±0.39 inches)

Product Performance:

Speed RPM	Input Power W	Torque Nm	Electronic Control
1000	220	1.6	CH 350 AA
1100	241	1.6	
1200	260	1.6	
1300	280	1.6	
1400	298	1.6	
1500	320	1.6	

Custom control available on request