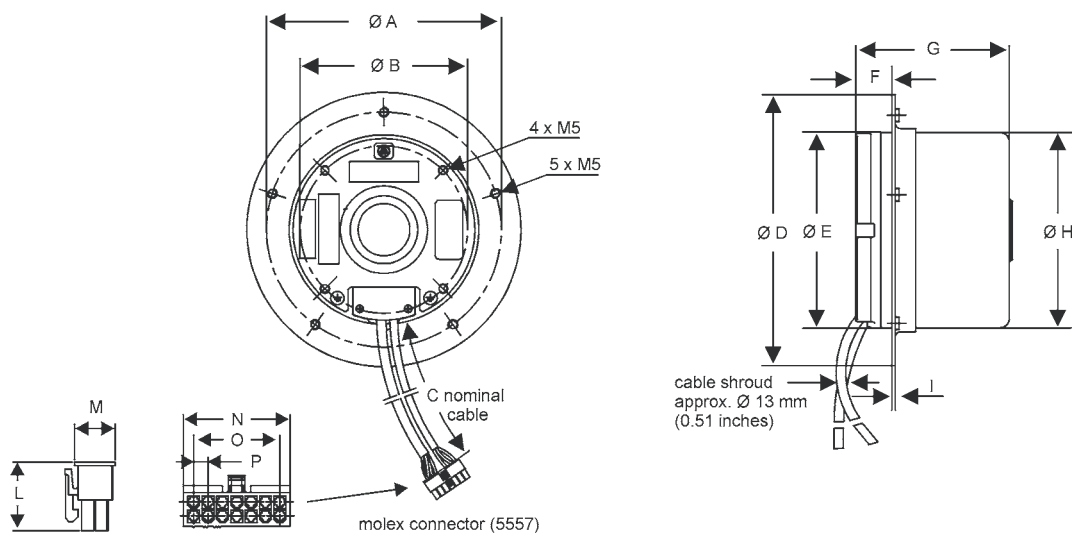


## 250 W External Rotor Motor DF 102 BA



Motor Type	Input Power W	Speed RPM	Efficiency %	Operating Temperature	Protection IP	Electronic Control
DF 102 BA	Up to 320	0-2950	82	-20/+40°C -4/+104°F	20	See below

### Product Dimensions:



Dimensions	A	B	C*	D	E	F	G	H	I	K	L	M	N	O	P
mm	120	90	600	140	101	22.5	86	101	1.5	13	20	11.6	31	25.2	4.2
inches	4.72	3.54	23.62	5.51	3.98	0.89	3.39	4.00	0.06	0.51	0.79	0.46	1.22	0.99	0.17

Cable Tolerance: C\* ±10 mm (±0.39 inches)

### Product Performance:

Speed RPM	Input Power W	Torque Nm	Electronic Control
2400	260	0.85	CH 350 AA
2500	270	0.85	
2600	282	0.85	
2700	292	0.85	
2800	303	0.85	
2900	320	0.85	

Custom control available on request