

## ECR81 /91



### ECM Motor with External Electronic Control



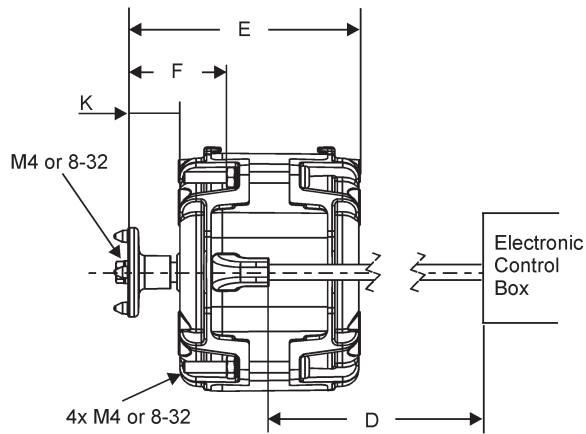
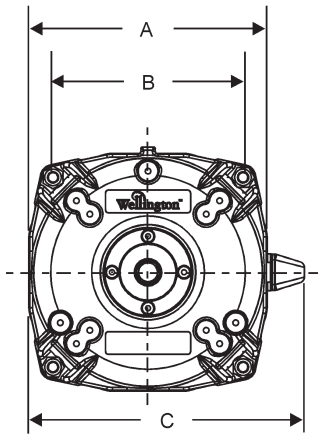
Motor	Voltage V / Hz	Current A	Speed RPM	Output Power W	Protection IP	Approval
ECR81xxx4	230 / 50	0.10	1250	9	44	CE
ECR81xxx1	230 / 50	0.20	1300	12	44	CE
ECR81xxx2	230 / 50	0.25	1300	16	44	CE
ECR81xxx3	230 / 50	0.29	1500	20	44	CE
ECR91xxx4	115 / 60	0.20	1300	7	44	UL, cUL
ECR91xxx1	115 / 60	0.23	1450	9	44	UL, cUL
ECR91xxx2	115 / 60	0.30	1550	12	44	UL, cUL
ECR91xxx3	115 / 60	0.39	1550	16	44	UL, cUL

IP55 available upon request

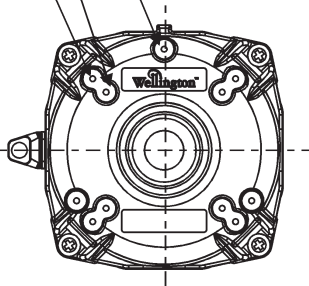
### Product Specifications

Approvals	c  us, 
Speed	Standard speed or user defined speed.
Electronic Control Safety Features	If the motor fails to start or is forced outside the preset range, locked rotor/stall detection switches the motor to standby mode, with automatic restart after 90 seconds. This software detection protects the motor with a timed restart algorithm to limit maximum winding temperature. Self-resetting thermal protection stops the motor if over-temperature occurs. The motor restarts when the winding temperature is back within the operating range.
Moisture and Dust Protection	ECR81/91 motors are IP44 standard and are available as IP55 upon request for even higher moisture and dust protection. In all ECR81/91 motors the electronic control board is fully enclosed in an IP55 rated plastic enclosure for complete moisture protection.
Operating Temperature	-30°C to +40°C (-22°F to +104°F).
Voltage Range	190V-254V 100V-127V
Direction of Rotation	Reversible. Direction of rotation can be either CCW SE (standard) or CW SE (upon request) as seen when facing the motor from Shaft End (SE). For CCW SE rotation, the black and blue wires are connected together. For CW SE rotation, the black wire is connected to the brown wire.
Weight	1.1 kg (2.43 lb)
Special Designs	IP55 for even higher humidity and dust protection. Timed reverse: motor reverses direction of rotation during defrost and keeps condenser coils clean and more efficient. This reduces energy and service costs. Different shaft length. Dimension K: 18 mm (0.71 inches). Different power leads and drive flanges. Special voltages. For more special designs, please contact a Wellington officenear you.

**Not Available After June 2011 – Use ECR82P, ECR92P or ECR One**



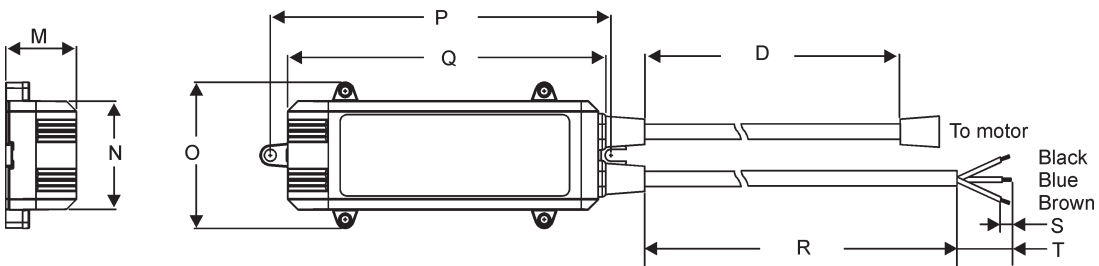
4x M4 or 8-32, PCD G  
 4x M4 or 8-32, PCD H  
 3x M4 or 8-32, PCD J



Dimensions	A	B	C	D	E	F	G	H	J	K
mm	84	67	97	381	77	29.8	71.4	58	71.4	13
inches	3.30	2.64	3.82	15	3.03	1.17	2.81	2.28	2.81	0.71

G, H and J screws maximum depth is 6 mm (0.23 inches).

### Electronic Control



Dimensions	M	N	O	P	Q	R	S	T
mm	21	32	43	101	94	381	7	50
inches	0.83	1.26	1.69	3.96	3.72	15	0.28	1.97

Black	Control lead
Blue	Neutral
Brown	Line / Phase