

ECR 82 / 92


ECM Motor with Integrated Electronic Control



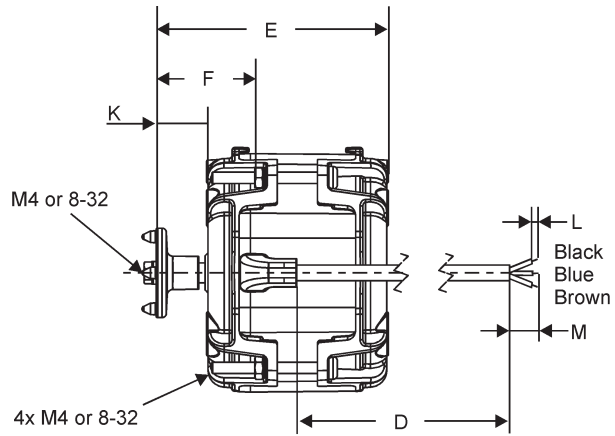
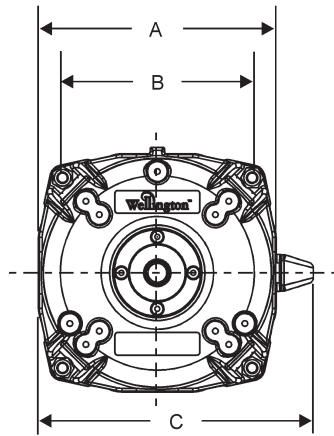
Motor	Voltage V / Hz	Current A	Speed RPM	Output Power W	Protection IP	Approval
ECR82xxx1	230 / 50	0.16	1500	12	44	CE, VDE, CCC
ECR82xxx2	230 / 60	0.19	1800	16	44	CE, VDE
ECR92xxx2	120 / 60	0.34	1800	16	44	cUL

IP55 available upon request

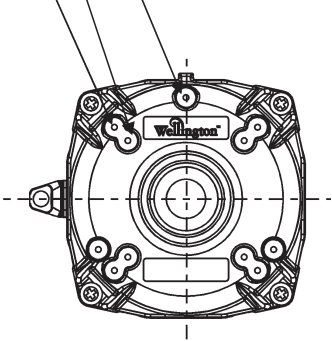
Product Specifications

Approvals	
Speed	Precision fixed speed. Different airflow performance is achieved by selecting impellers of different size and pitch.
Unique Features	UltraSynch™ technology means that the motor speed remains absolutely constant regardless of power supply fluctuations.
Electronic Control Safety Features	If the motor fails to start or is forced outside the preset range, locked rotor/stall detection switches the motor to standby mode, with automatic restart after 40 seconds. This software detection protects the motor with a timed restart algorithm to limit maximum winding temperature. Self-resetting thermal protection stops the motor if over-temperature occurs. The motor restarts when the winding temperature is back within the operating range.
Moisture and Dust Protection	ECR82/92 motors are IP44 standard and are available as IP55 upon request for even higher moisture and dust protection. In all ECR82/92 motors a conformal coating is applied to the electronic control board for complete moisture protection.
Operating Temperature	-30°C to +40°C (-22°F to +104°F).
Voltage Range	190V-254V 90V-140V
Direction of Rotation	Reversible. Direction of rotation can be either CCW SE (standard) or CW SE (upon request) as seen when facing the motor from Shaft End (SE). For CCW SE rotation, the black and blue wires are connected together. For CW SE rotation, the black wire is connected to the brown wire.
Weight	0.90 kg (1.98 lb)
Special Designs	IP55 for even higher humidity and dust protection. Timed reverse: motor reverses direction of rotation during defrost and keeps condenser coils clean and more efficient. This reduces energy and service costs. Different shaft length. Dimension K: 18 mm (0.71 inches). Different power leads and drive flanges. Special voltages. For more special designs, please contact a Wellington office near you.

Not Recommended for New Designs – Use ECR82P, ECR92P or ECR One



4x M4 or 8-32, PCD G
 4x M4 or 8-32, PCD H
 3x M4 or 8-32, PCD J



Dimensions	A	B	C	D	E	F	G	H	J	K	L	M
mm	84	67	97	381	77	29.8	71.4	58	71.4	13	7	50
inches	3.30	2.64	3.82	15	3.03	1.17	2.81	2.28	2.81	0.71	0.28	1.97

G, H and J screws maximum depth is 6 mm (0.23 inches).

Black	Control lead
Blue	Neutral
Brown	Line / Phase