

ECR ONE

ECM Motor with Integrated Electronic Control

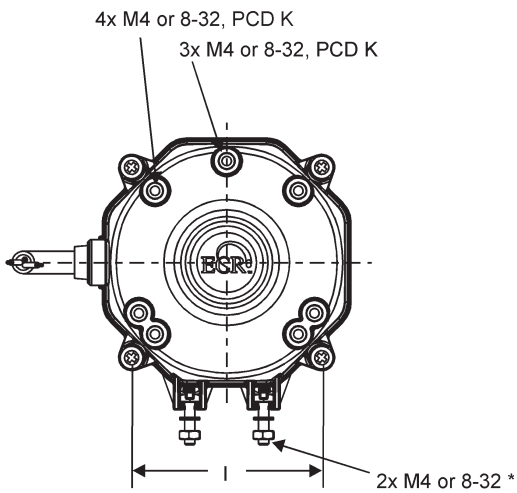
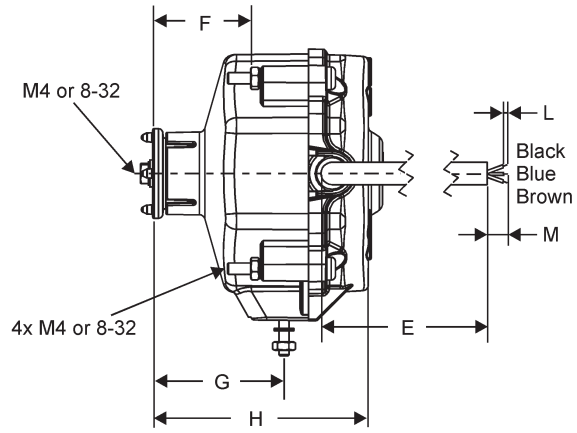
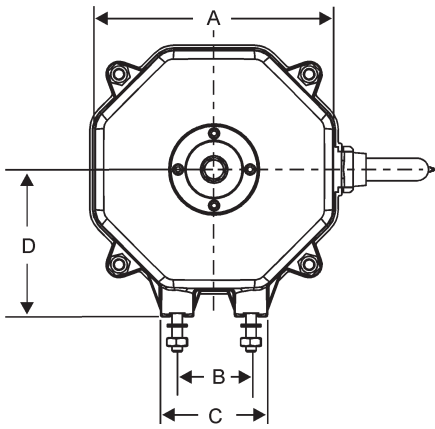


Motor	Voltage V / Hz	Current A	Speed RPM	Output Power W	Protection IP
ECR01Bxxx4	230 / 50	0.11	1300	7	55
ECR01Bxxx1	230 / 50	0.18	1300	12	55
ECR01Axxx1	115 / 60	0.23	1550	9	55
ECR01Axxx2	115 / 60	0.3	1550	12	55

Product Specifications

Approvals	UL ^{us} *, CE, VDE*
Speed	Standard speed or user defined speed.
Electronic Control Safety Features	<p>If the motor fails to start, locked rotor/stall detection switches the motor to standby mode, with automatic restart after 60 seconds. This software detection protects the motor with a timed restart algorithm to limit maximum winding temperature.</p> <p>Self-resetting thermal protection stops the motor if over-temperature occurs. The motor restarts when the winding temperature is back within the operating range.</p>
Moisture and Dust Protection	ECR ONE motors are IP55. In all ECR ONE motors a conformal coating is applied to the electronic control board for complete moisture protection.
Operating Temperature	-30°C to +50°C (-22°F to +122°F).
Voltage Range	190V-254V 100V-127V
Direction of Rotation	Reversible. Direction of rotation can be either CCW SE (standard) or CW SE (upon request) as seen when facing the motor from Shaft End (SE). For CCW SE rotation, the black and blue wires are connected together. For CW SE rotation, the black wire is connected to the brown wire.
Weight	0.85 kg (1.87 lb)
Special Designs	<p>ECR ONE 115V/60Hz available up to 16W.</p> <p>ECR ONE 230V/50-60Hz available up to 20W.</p> <p>Timed reverse: motor reverses direction of rotation during defrost and keeps condenser coils clean and more efficient. This reduces energy and service costs.</p> <p>Two speeds for day/night operation.</p> <p>Different power leads (for more information, please refer to page 24).</p> <p>For more special designs, please contact a Wellington office near you.</p>

* In progress. To be completed Q1.



Dimensions	A	B	C	D	E	F	G	H	I	K	L	M
mm	84	26	38	52	500	34.5	46	77	67	71.4	7	50
inches	3.30	1.02	1.50	2.05	19.68	1.36	1.81	3.03	2.64	2.81	0.28	1.97

* 2x M4 or 8-32 threaded bolts are not included but available upon request.

Black	Control lead
Blue	Neutral
Brown	Line / Phase