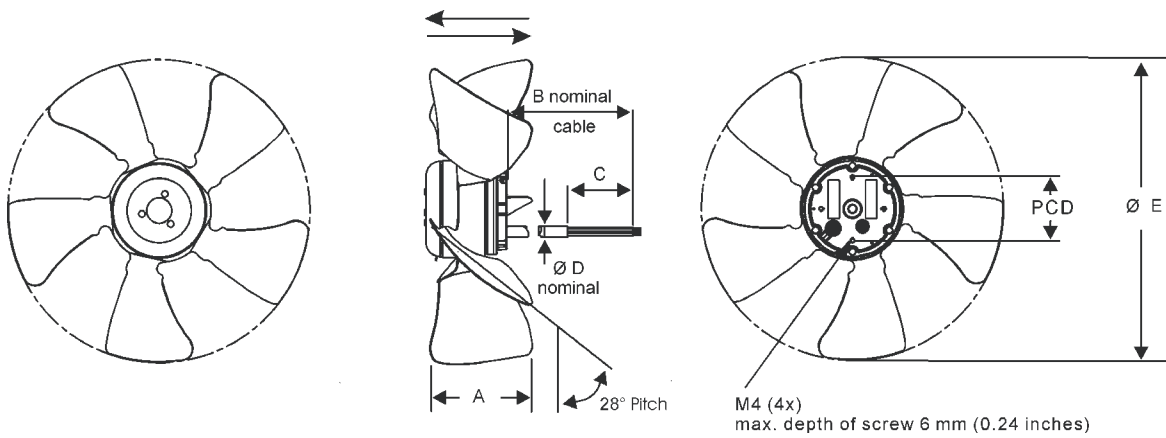


# Axial Fans Ø 200 mm (8 inches)



Fan Type	Motor	Air Flow m <sup>3</sup> /hr	Speed RPM	Input Power W	Operating from Pa
FA 200 D	DD 025 AA	960	3300	80	0
FA 200 C	DD 050 AA	960	3300	75	0

### Product Dimensions:

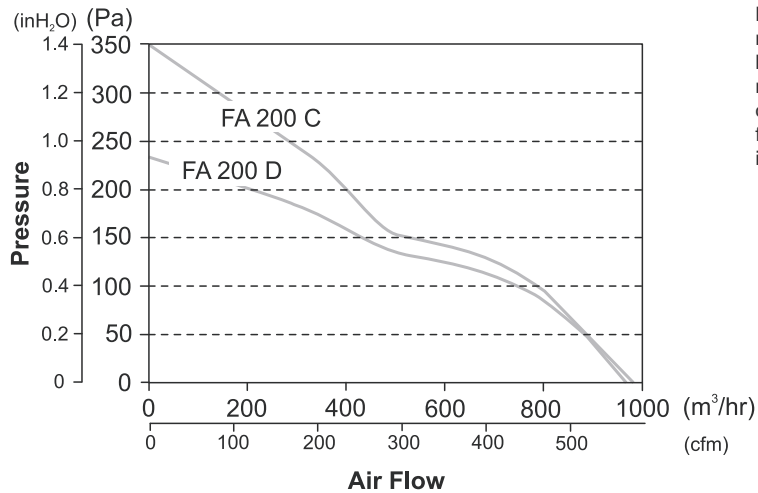


Material: Painted Steel

Dimensions	A	B*	C	D*	E	PCD
mm	37.5	500	42	6.2	200	58
inches	1.48	19.68	1.65	0.24	7.87	2.28

Cable Tolerance: B\* ±20 mm (±0.79 inches)  
D\* ±0.8 mm (±0.03 inches)

### Air Flow Graph:



Lines drawn are recommended operating limits. By adjusting the motor speed, fans can operate at all pressure-flow points up to and including those drawn.