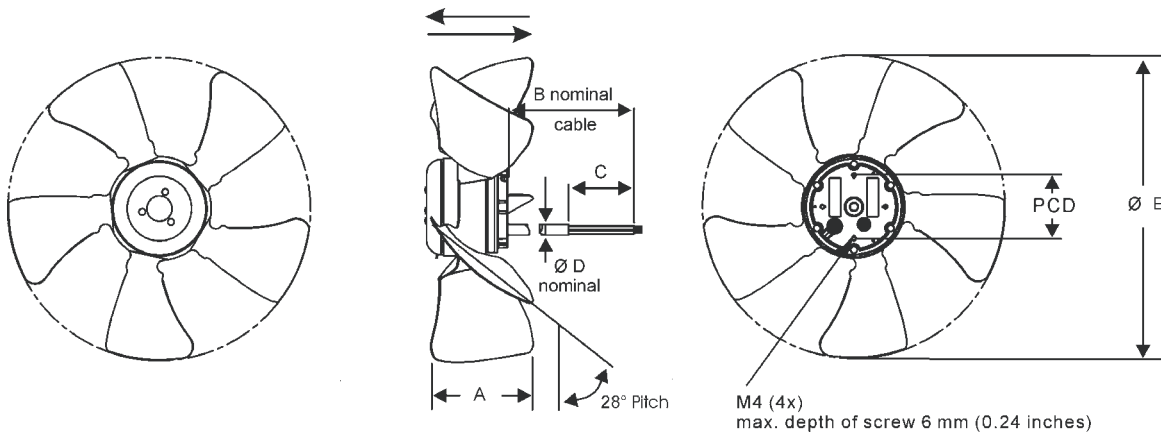


Axial Fans Ø 250 mm (9 3/4 inches)



Fan Type	Motor	Air Flow m ³ /hr	Speed RPM	Input Power W	Operating from Pa
FA 250 D	DD 025 AA	1080	1960	60	0
FA 250 C	DD 050 AA	1490	2680	100	0
FA 250 B	DD 070 AA	1870	3280	165	0

Product Dimensions:

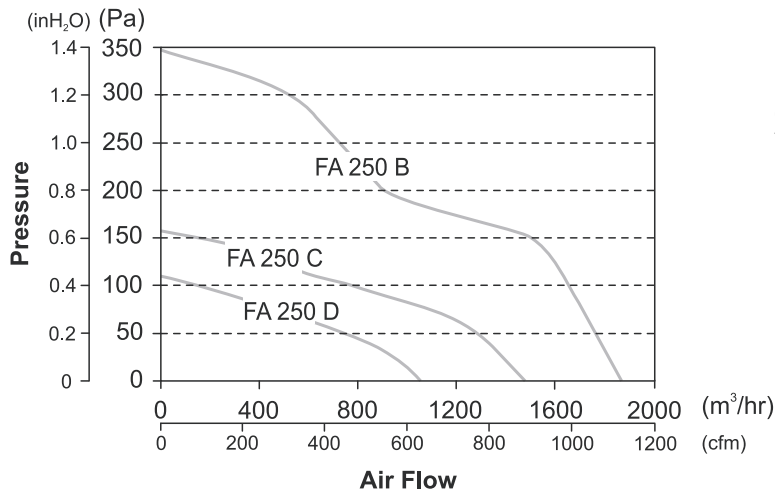


Material: Painted Steel

Dimensions	A	B*	C	D*	E	PCD
mm	38	500	42	6.2	250	58
inches	1.50	19.68	1.65	0.24	9.84	2.28

Cable Tolerance: B* ±20 mm (±0.79 inches)
D* ±0.8 mm (±0.03 inches)

Air Flow Graph:



Lines drawn are recommended operating limits. By adjusting the motor speed, fans can operate at all pressure-flow points up to and including those drawn.