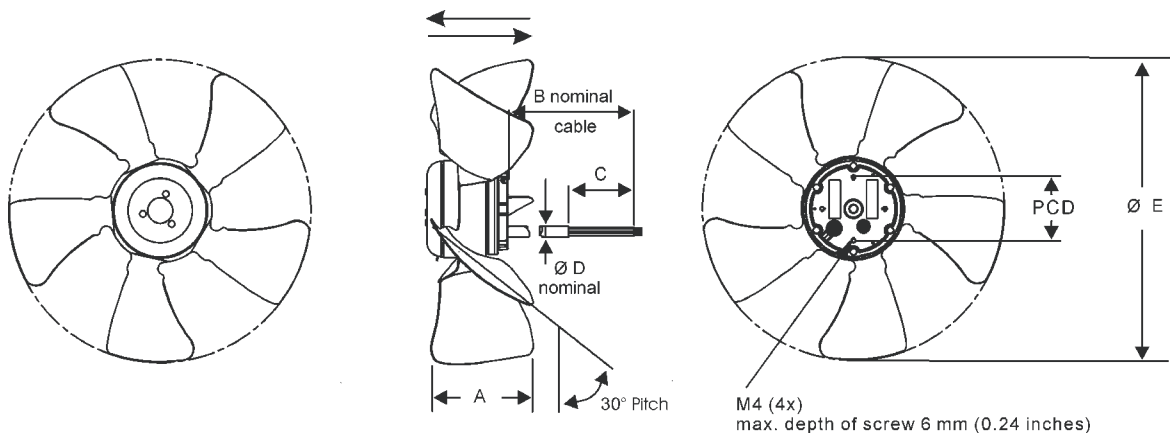


## Axial Fans Ø 300 mm (11 3/4 inches)



Fan Type	Motor	Air Flow m <sup>3</sup> /hr	Speed RPM	Input Power W	Operating from Pa
FA 300 D	DD 025 AA	1060	1280	65	0
FA 300 C	DD 050 AA	1300	1540	80	0
FA 300 B	DD 070 AA	1750	2020	160	0

### Product Dimensions:

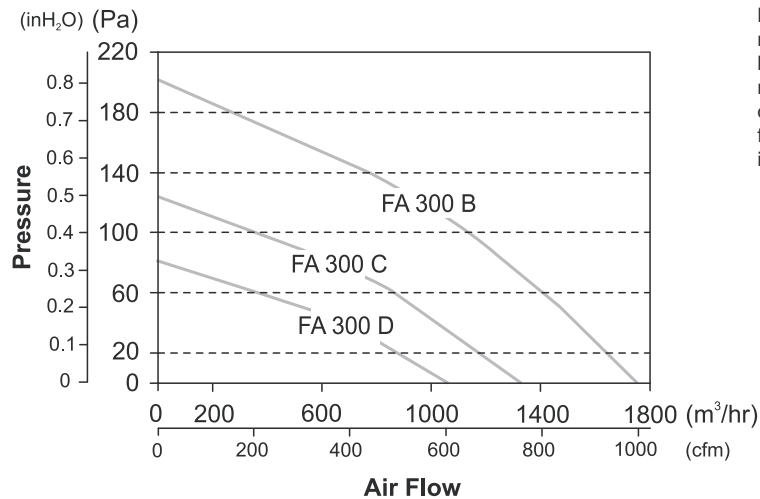


Material: Painted Steel

Dimensions	A	B*	C	D*	E	PCD
mm	48	500	42	6.2	300	58
inches	1.89	19.68	1.65	0.24	11.81	2.28

Cable Tolerance: B\* ±20 mm (±0.79 inches)  
D\* ±0.8 mm (±0.03 inches)

### Air Flow Graph:



Lines drawn are recommended operating limits. By adjusting the motor speed, fans can operate at all pressure-flow points up to and including those drawn.