

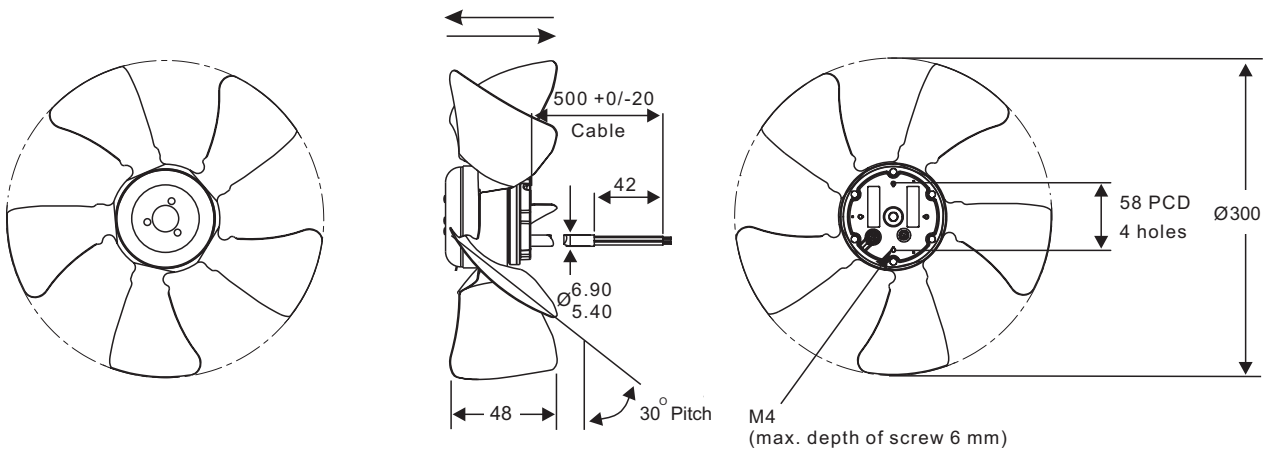
# FA 300

## Axial Fans - Ø 300 mm



Fan Type	Motor	Air Flow m <sup>3</sup> /hr	Speed RPM	Input Power W	Operating from Pa
FA 300 D	DD 025 AA	1060	1280	65	0
FA 300 C	DD 050 AA	1300	1540	80	0
FA 300 B	DD 070 AA	1750	2020	160	0

### Product Dimensions



Impeller Material: Painted Steel

All dimensions mm

### Air Flow Graph

- Lines drawn are recommended operating limits.
- By adjusting the motor speed, fans can operate at all pressure-flow points up to and including those drawn.

