

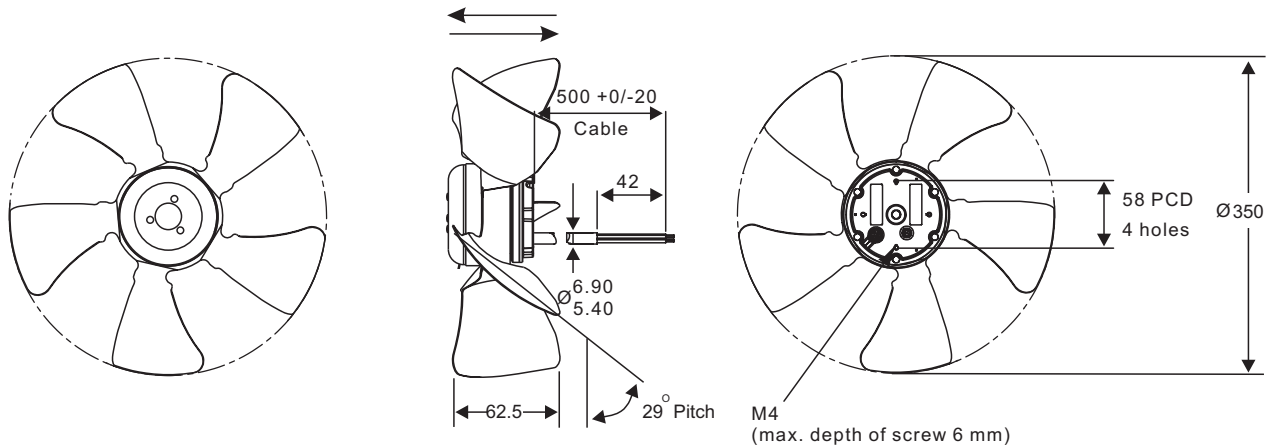
# FA 350

## Axial Fans - Ø 350 mm



Fan Type	Motor	Air Flow m <sup>3</sup> /hr	Speed RPM	Input Power W	Operating from Pa
FA 350 C	DD 050 AA	1610	960	60	0
FA 350 B	DD 070 AA	2050	1220	115	0

### Product Dimensions



Impeller Material: Painted Steel

All dimensions mm

### Air Flow Graph

- Lines drawn are recommended operating limits.
- By adjusting the motor speed, fans can operate at all pressure-flow points up to and including those drawn.

