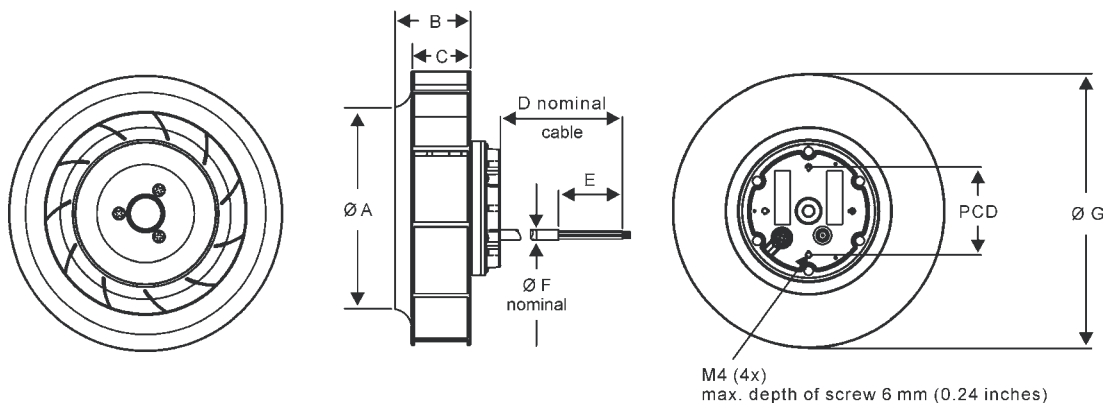


Backward Curved Centrifugal Fan Ø 225 mm (8 3/4 inches)



Fan Type	Motor	Air Flow m ³ /hr	Speed RPM	Input Power W	Operating from Pa
FB 225 C	DD 050 AA	1330	2820	130	0
FB 225 B	DD 070 AA	1500	3220	210	0

Product Dimensions:

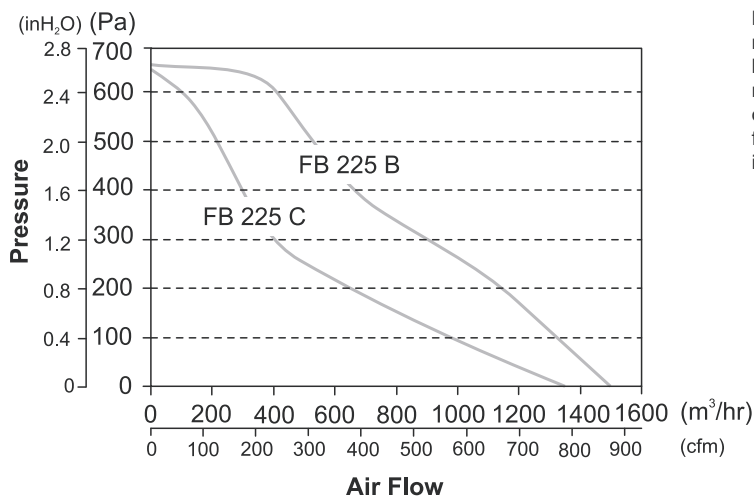


Material: Galvanized Sheet Steel (Aluminium on request)

Dimensions	A	B	C	D*	E	F*	G	PCD
mm	153	88	63	500	42	6.2	225	58
inches	6.02	3.46	2.48	19.68	1.65	0.24	8.86	2.28

Cable Tolerance: D* ±20 mm (±0.79 inches)
F* ±0.8 mm (±0.03 inches)

Air Flow Graph:



Lines drawn are recommended operating limits. By adjusting the motor speed, fans can operate at all pressure-flow points up to and including those drawn.