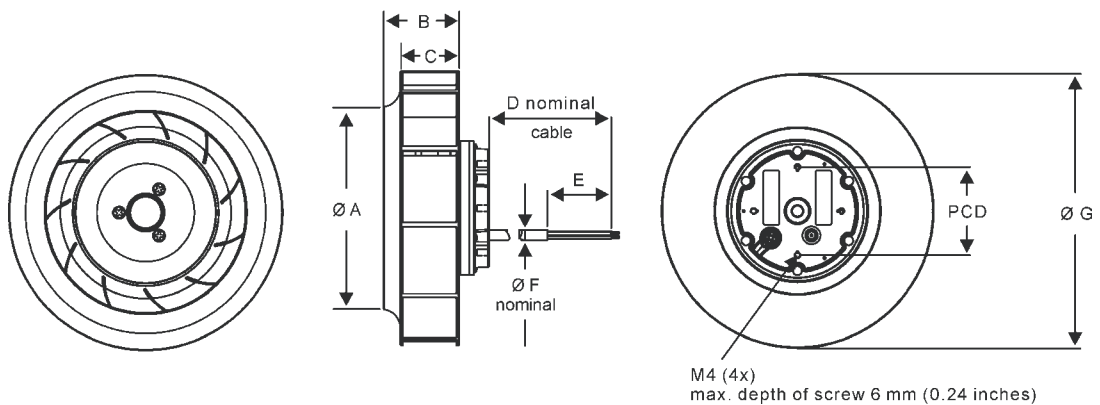


Backward Curved Centrifugal Fan Ø 250 mm (9 3/4 inches)



Fan Type	Motor	Air Flow m ³ /hr	Speed RPM	Input Power W	Operating from Pa
FB 250 B	DD 070 AA	1770	2700	200	0

Product Dimensions:

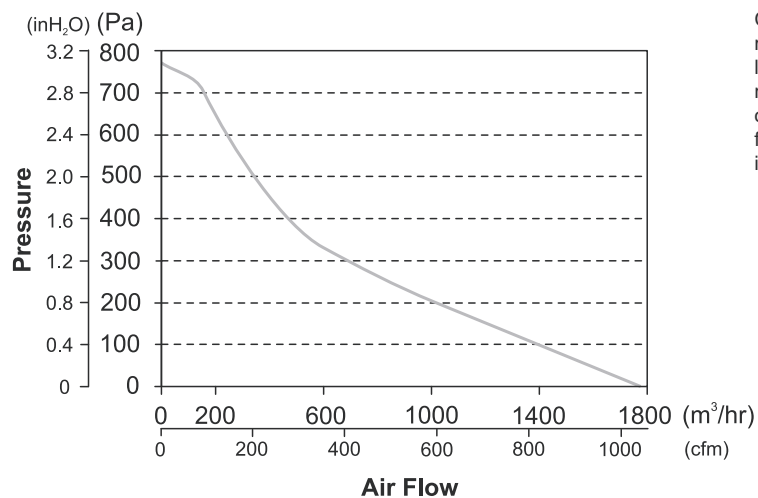


Material: Galvanized Sheet Steel (Aluminium on request)

Dimensions	A	B	C	D*	E	F*	G	PCD
mm	172	100	71	500	42	6.2	250	58
inches	6.77	3.94	2.80	19.68	1.65	0.24	9.84	2.28

Cable Tolerance: D* ± 20 mm (± 0.79 inches)
F* ± 0.8 mm (± 0.03 inches)

Air Flow Graph:



Curve shown is recommended operating limit. By adjusting the motor speed, fan can operate at all pressure-flow points up to and including those drawn.