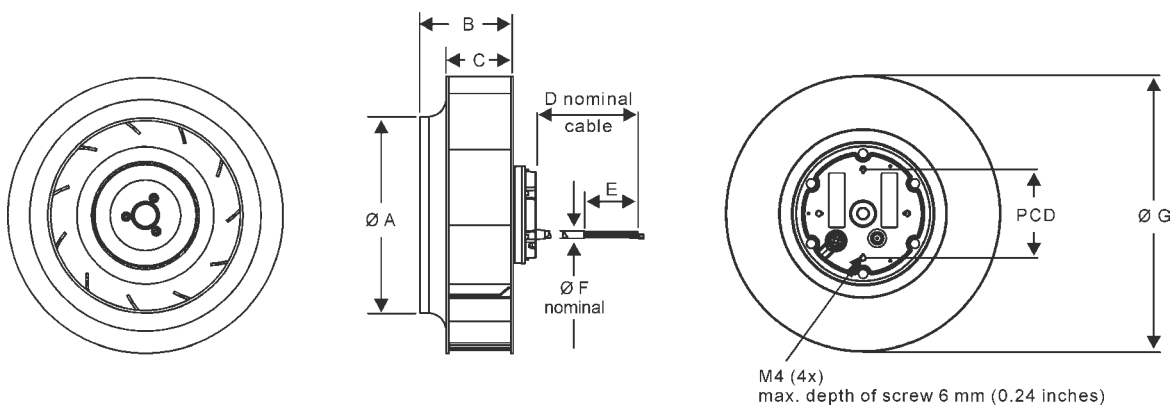


## Backward Curved Centrifugal Fan Ø 250 mm (9 3/4 inches)



Fan Type	Motor	Air Flow m <sup>3</sup> /hr	Speed RPM	Input Power W	Operating from Pa
FB 250 B	DD 070 AA	1420	2250	185	0

### Product Dimensions:

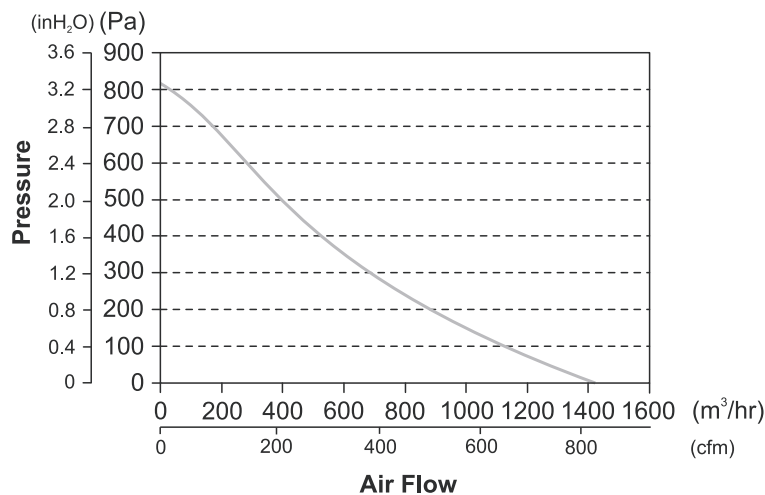


Material: Plastic

Dimensions	A	B	C	D*	E	F*	G	PCD
mm	177	87	62	500	42	6.2	250	58
inches	6.97	3.43	2.44	19.68	1.65	0.24	9.84	2.28

Cable Tolerance: D\* ±20 mm (±0.79 inches)  
 F\* ±0.8 mm (±0.03 inches)

### Air Flow Graph:



Curve shown is recommended operating limit. By adjusting the motor speed, fan can operate at all pressure-flow points up to and including those drawn.