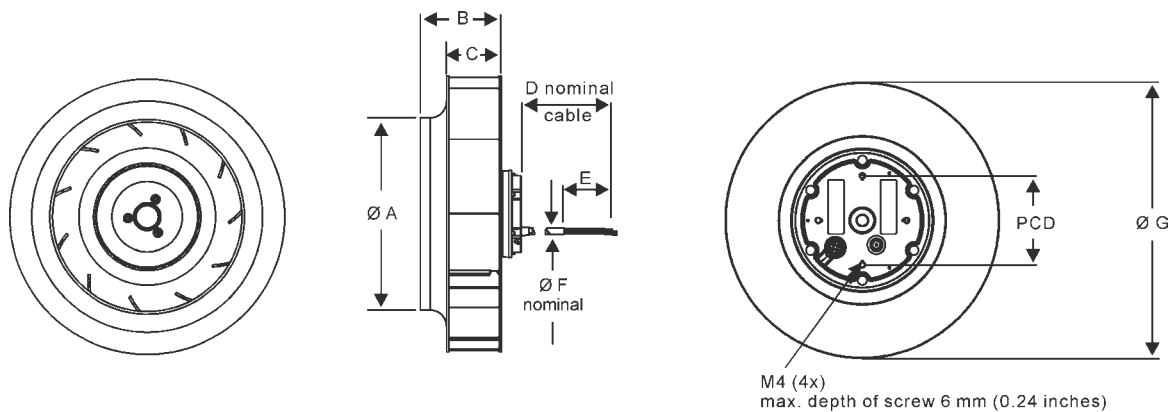


Backward Curved Centrifugal Fan Ø 280 mm (11 inches)



Fan Type	Motor	Air Flow m ³ /hr	Speed RPM	Input Power W	Operating from Pa
FB 280 B	DD 070 AA	1600	2070	170	0

Product Dimensions:

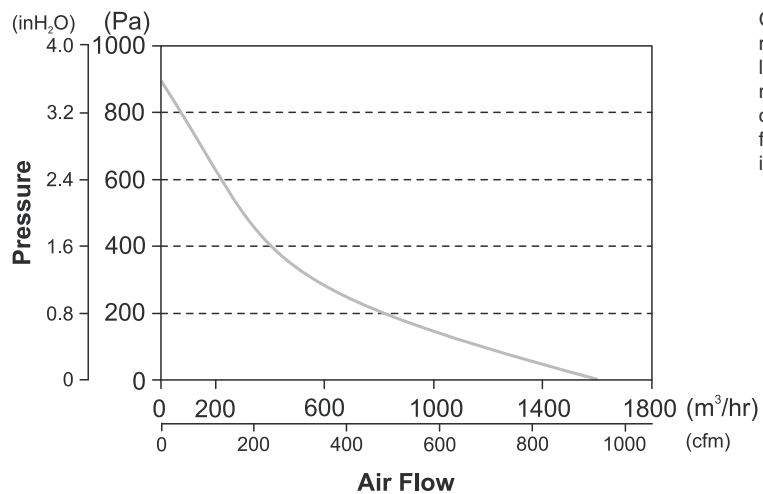


Material: Plastic

Dimensions	A	B	C	D*	E	F*	G	PCD
mm	195	85	60	500	42	6.2	280	58
inches	7.68	3.35	2.36	19.68	1.65	0.24	11.02	2.28

Cable Tolerance: D* ±20 mm (±0.79 inches)
F* ±0.8 mm (±0.03 inches)

Air Flow Graph:



Curve shown is recommended operating limit. By adjusting the motor speed, fan can operate at all pressure-flow points up to and including those drawn.