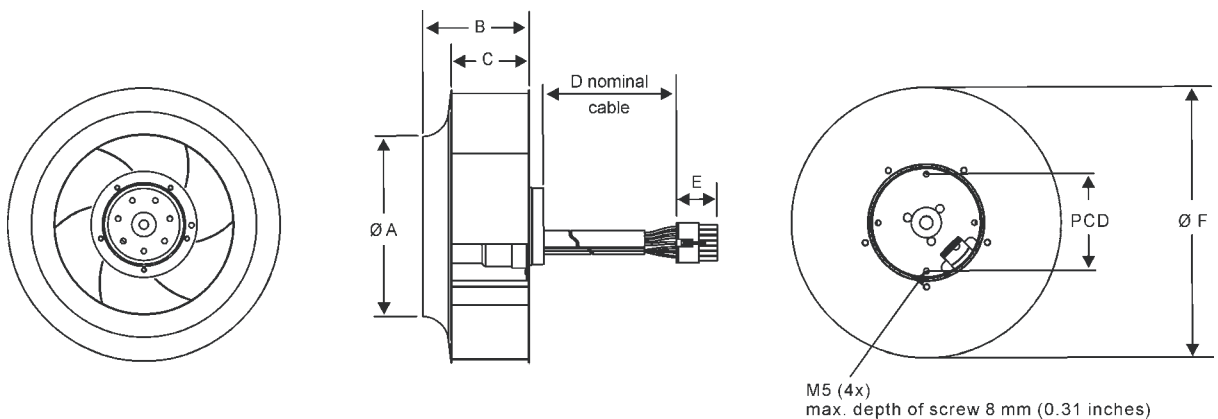


Backward Curved Centrifugal Fan Ø 355 mm (14 inches)



Fan Type	Motor	Air Flow m ³ /hr	Speed RPM	Input Power W	Operating from Pa
FB 355 E	DF 102 AA	2628	1780	288	0
FB 355 F	DF 102 BA	1970	1366	128	0

Product Dimensions:

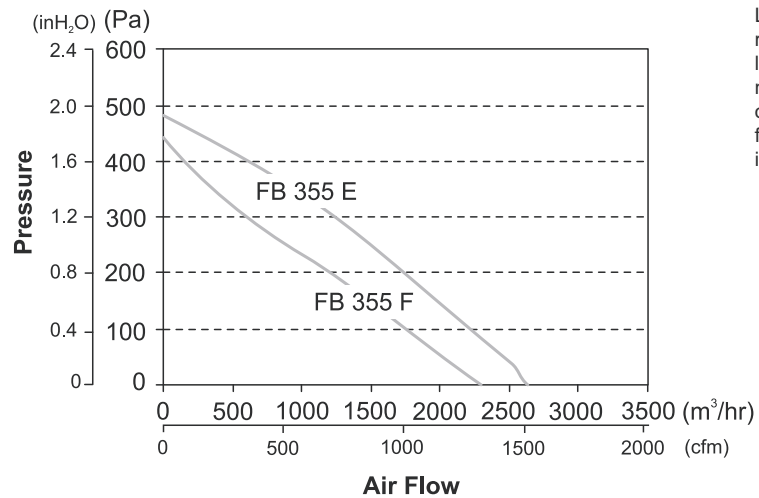


Material: Galvanized Sheet Steel (Aluminium on request)

Dimensions	A	B	C	D*	E	F	PCD
mm	237	148	102	600	20	355	90
inches	9.33	5.83	4.02	23.62	0.79	13.98	3.54

Cable Tolerance: D* ±10 mm (±0.39 inches)

Air Flow Graph:



Lines drawn are recommended operating limits. By adjusting the motor speed, fans can operate at all pressure-flow points up to and including those drawn.