

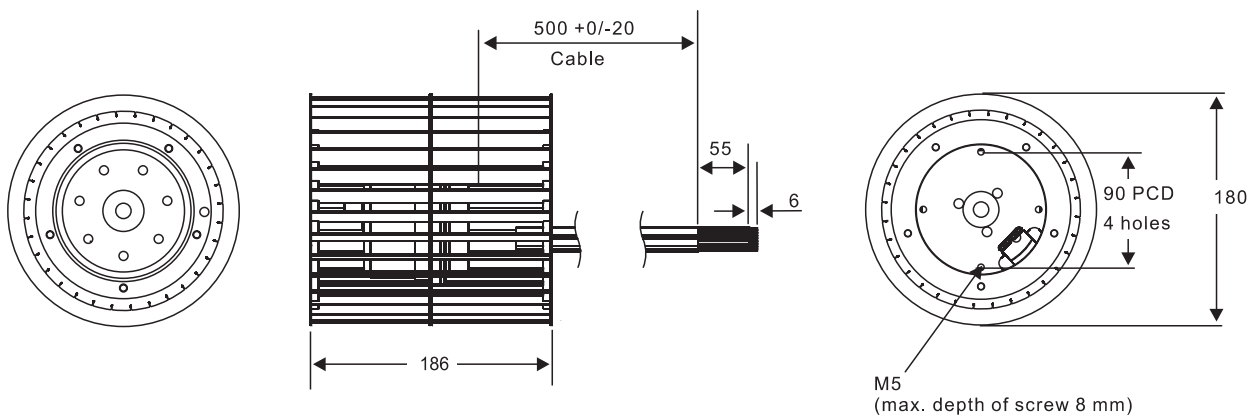
FG 180

Forward Curved - Ø 180 mm Double Inlet Impeller



Fan Type	Motor	Air Flow m ³ /hr	Speed RPM	Input Power W	Operating from Pa
FG 180 E	DF 102 AA	1975	1130	195	75
FG 180 F	DF 102 BA	1520	870	90	45

Product Dimensions



Impeller Material: Galvanized Sheet Steel (Aluminium on request)

All dimensions mm

Air Flow Graph

- Lines drawn are recommended operating limits.
- By adjusting the motor speed, fans can operate at all pressure-flow points up to and including those drawn.

