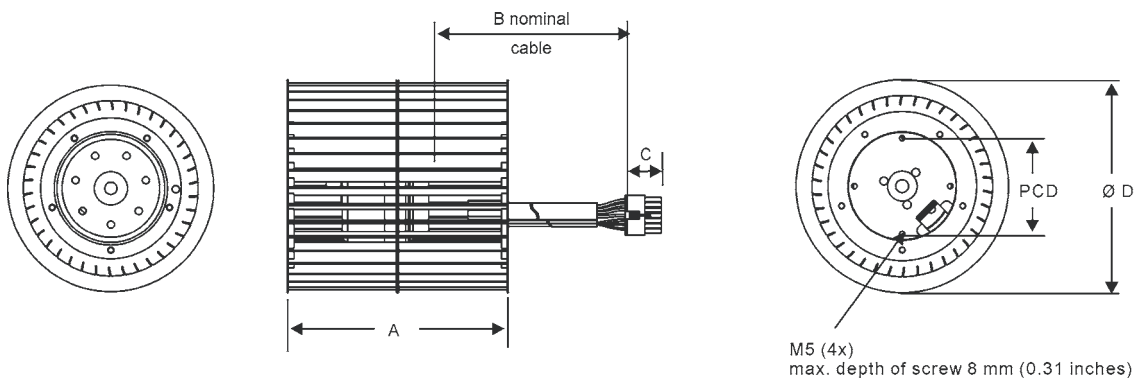


Forward Curved Fan Ø 200 mm (8 inches)



Fan Type	Motor	Air Flow m ³ /hr	Speed RPM	Input Power W	Operating from Pa
FG 200 E	DF 102 AA	2045	890	155	90
FG 200 F	DF 102 BA	1595	695	75	55

Product Dimensions:

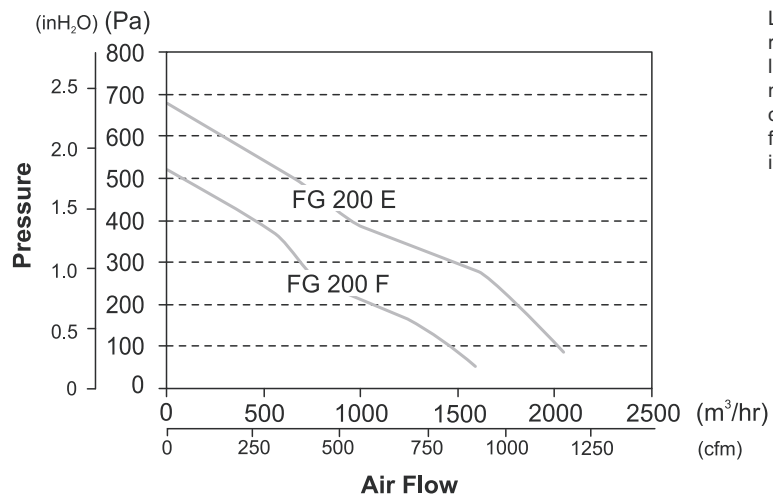


Material: Galvanized Sheet Steel (Aluminum on request)

Dimensions	A	B*	C	D	PCD
mm	206	600	20	200	90
inches	8.11	23.62	0.79	7.87	3.54

Cable Tolerance: B* ±10 mm (±0.39 inches)

Air Flow Graph:



Lines drawn are recommended operating limits. By adjusting the motor speed, fans can operate at all pressure-flow points up to and including those drawn.