

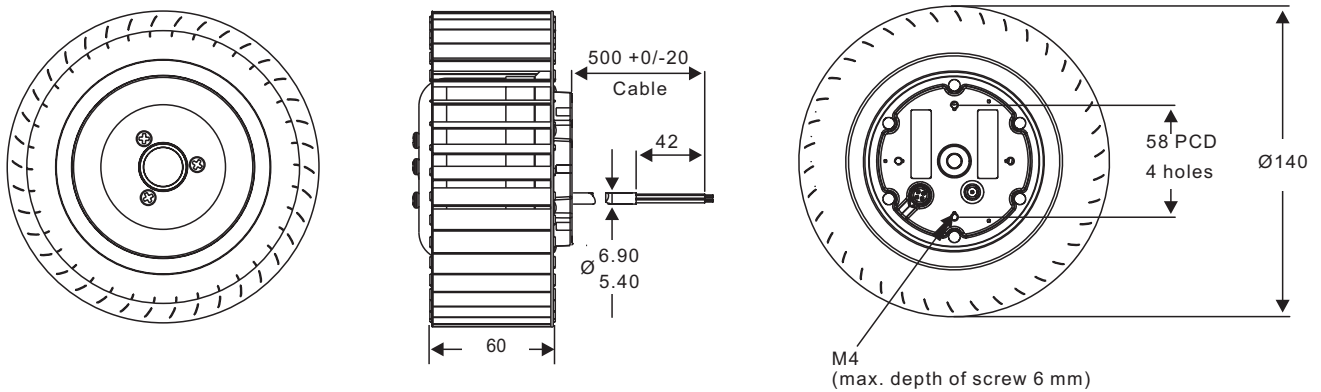
FT 140

Forward Curved - Ø 140 mm Single Inlet Impeller



Fan Type	Motor	Air Flow m ³ /hr	Speed RPM	Input Power W	Operating from Pa
FT 140 D	DD 025 AA	370	1560	65	0
FT 140 C	DD 050 AA	460	2090	100	0
FT 140 B	DD 070 AA	590	2280	160	0

Product Dimensions



Impeller Material: Galvanized Sheet Steel (Aluminium on request)

All dimensions mm

Air Flow Graph

- Lines drawn are recommended operating limits.
- By adjusting the motor speed, fans can operate at all pressure-flow points up to and including those drawn.

