

DD 025

External Rotor Motor - 60 W



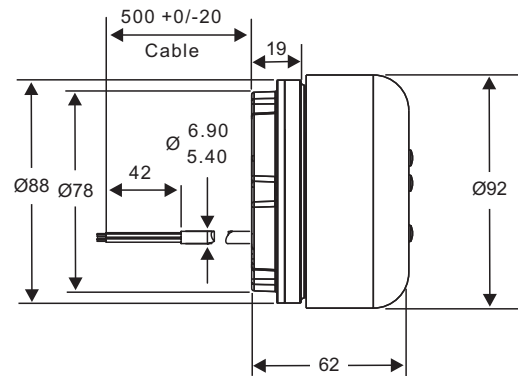
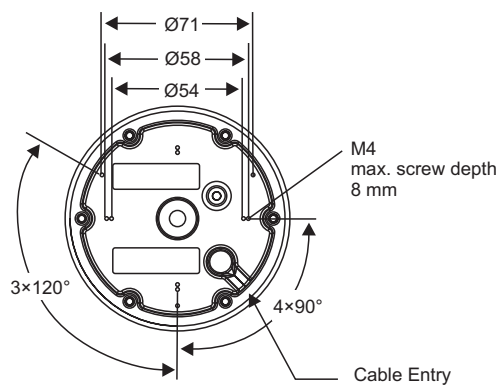
Motor with fully protected windings (non exposed) and no stamped laminations.



| Motor Type | Input Power W | Speed RPM | Efficiency % | Operating Temperature | Protection IP | Controller |
|------------|------------------|--------------|-----------------|--------------------------|------------------|------------|
| DD 025 AA | 120 (max) | 0-3500 | 70 | -10/+40°C | 44* | See below |

* IP 55 available on request

Product Dimensions



All dimensions mm

Product Performance

| Speed RPM | Input Power W | Torque Nm | External Controls |
|--------------|------------------|--------------|-------------------|
| 1600 | 67 | 0.2 | CH 120 AA |
| 1800 | 71 | 0.2 | |
| 2000 | 75 | 0.2 | |
| 2200 | 80 | 0.2 | |
| 2400 | 85 | 0.2 | |
| 2600 | 89 | 0.2 | CH 160 AA |
| 2800 | 94 | 0.2 | |
| 3000 | 98 | 0.2 | |
| 3200 | 103 | 0.2 | |

Custom control:
available on request