

DD 050

External Rotor Motor - 110 W



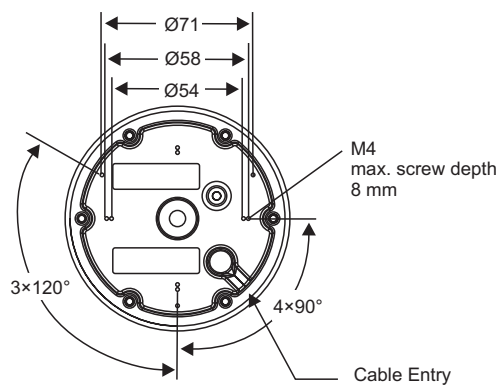
Motor with fully protected windings (non exposed) and no stamped laminations.



Motor Type	Input Power W	Speed RPM	Efficiency %	Operating Temperature	Protection IP	Controller
DD 050 AA	135 (max)	0-3500	81	-10/+40°C	44*	See below

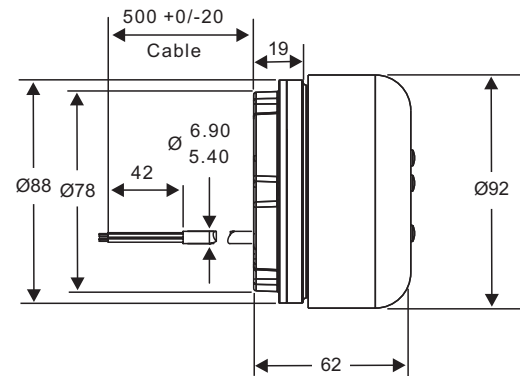
* IP 55 available on request

Product Dimensions



Standard mounting:
4xM4 at 58 mm diameter

Mounting options:
54 or 71 mm diameter



All dimensions mm

Product Performance

Speed RPM	Input Power W	Torque Nm	External Controls
1400	70	0.3	CH 120 AA
1600	77	0.3	
1800	84	0.3	
2000	91	0.3	
2200	98	0.3	
2400	105	0.3	CH 160 AA
2600	112	0.3	
2800	119	0.3	
3000	127	0.3	
3200	134	0.3	

Custom control:
available on request