

## DD 070

### External Rotor Motor - 160 W



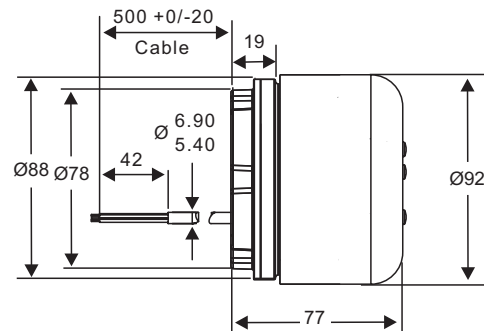
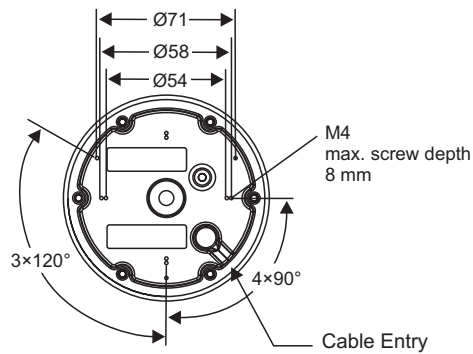
Motor with fully protected windings (non exposed) and no stamped laminations.



Motor Type	Input Power W	Speed RPM	Efficiency %	Operating Temperature	Protection IP	Controller
DD 070 AA	235 (max)	0-3500	81	-10/+40°C	44*	See below

\* IP 55 available on request

### Product Dimensions



Standard mounting:  
4xM4 at 58 mm diameter

Mounting options:  
54 or 71 mm diameter

All dimensions mm

### Product Performance

Speed RPM	Input Power W	Torque Nm	External Controls
1600	120	0.5	CH 250 AB
1800	131	0.5	
2000	143	0.5	
2200	155	0.5	
2400	167	0.5	
2600	174	0.5	
2800	191	0.5	
3000	207	0.5	
3200	215	0.5	

Custom control:  
available on request