

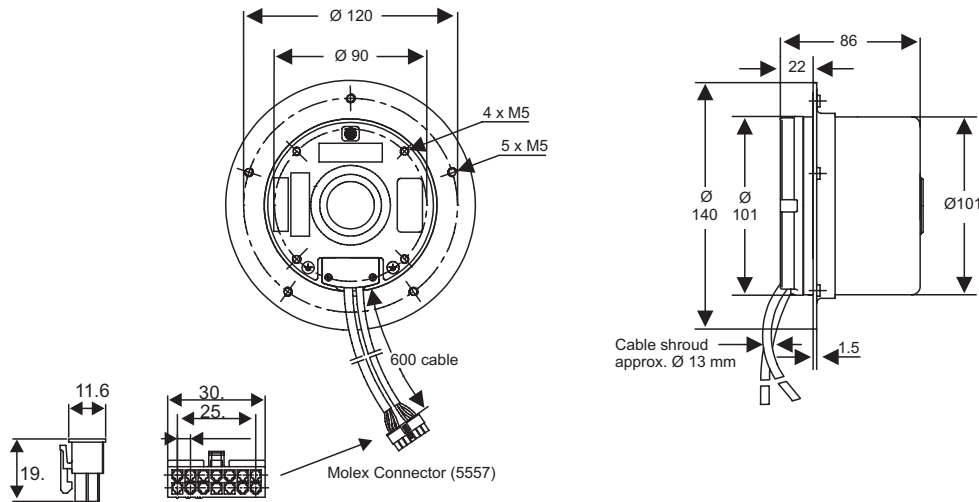
DF 102

External Rotor Motor - 250 W



Motor Type	Input Power W	Speed RPM	Efficiency %	Operating Temperature	Protection IP	Controller
DF 102 AA	325 (max)	0-1500	80	-20/+40°C	20	See below

Product Dimensions



All dimensions mm

Product Performance

Speed RPM	Input Power W	Torque Nm	External Controls
1000	220	1.6	CH 350 AA
1100	241	1.6	
1200	260	1.6	
1300	280	1.6	
1400	298	1.6	
1500	320	1.6	

Custom control:
available on request