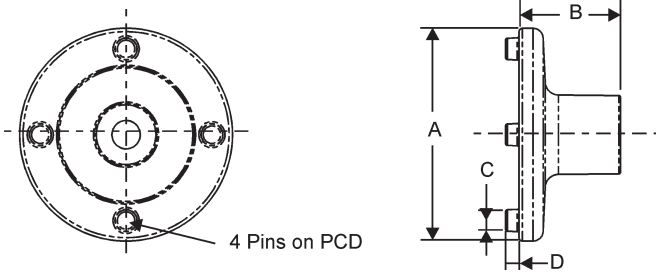
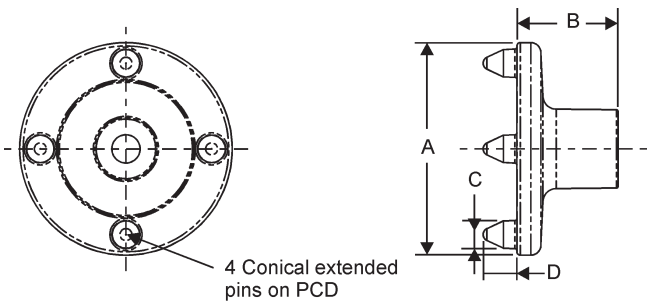


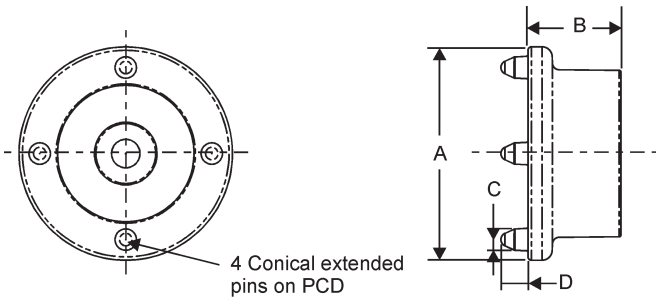
Drive Flanges



Part Number	Impellers Type		A	B	C	D	PCD
1PM100014	metric	mm	31.5	15	3.3	2	25.4
		inches	1.24	0.59	0.13	0.08	1.00



Part Number	Impellers Type		A	B	C	D	PCD
1PM100031	imperial	mm	31.5	15	4.2	5	25.4
		inches	1.24	0.59	0.17	0.20	1.00
1PM100037	imperial	mm	31.5	10	4.2	5	25.4
		inches	1.24	0.39	0.17	0.20	1.00



Part Number	Impellers Type		A	B	C	D	PCD
1PM100056	metric	mm	31.5	13.7	3.3	4	25.4
		inches	1.24	0.54	0.13	0.16	1.00
1PM100061	imperial	mm	31.5	13.7	4.2	5	25.4
		inches	1.24	0.54	0.17	0.20	1.00

Drive fanges sold assembled onto the motor.